

*Sunstream*

# *Canopy*

## **Owners Manual**

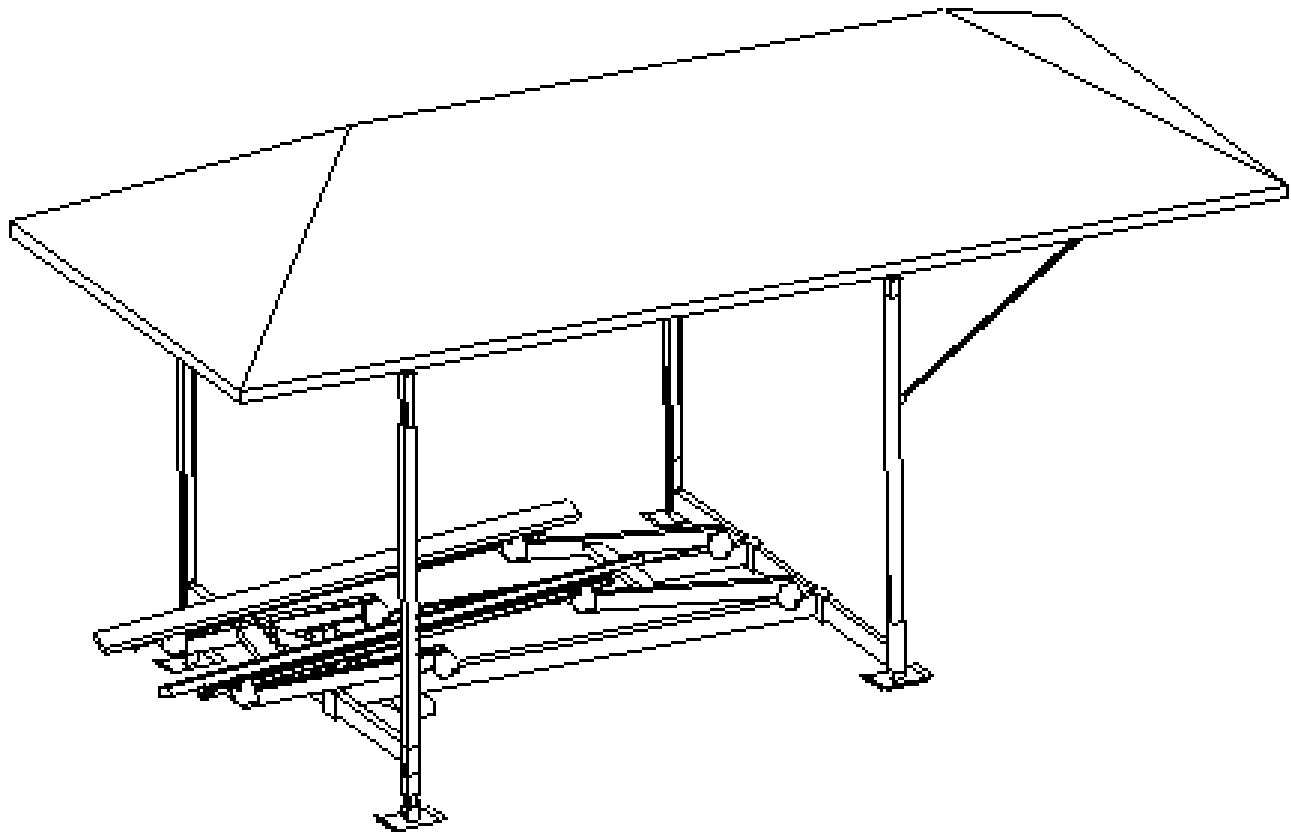
P22108

P24114

P27114

P27126

P30126



**Parts List**  
**Structure**

<b>P22108/ P24114</b>	<b>P27114</b>	<b>P27126</b>	<b>P30126</b>	
4	4	4	4	Side Rail
2	2	2	2	Side Rail Splice
2	2	2	2	Front/Rear Rail
1	2	2	2	Ridge Pole
0	1	1	1	Ridge Pole Splice
4	4	4	4	Corner Rafters
8/6	6	6	10	Side Rafter
0/2	2	2	2	End Rafter
2	2	2	2	Spider Casting
4	4	4	4	Corner Casting
2	2	2	4	Tie Bar – Side
2	2	2	2	Tie Bar – Side w/Stub
2	2	2	2	Tie Bar – Front/Rear
4	4	4	4	Upright
4	4	4	4	Insert (for upright)
2	2	2	0	Diagonal
2	2	2	0	Upper Diagonal Bracket
0	0	0	1	High Wind Kit
1	1	1	1	Canopy Cover

**Hardware**

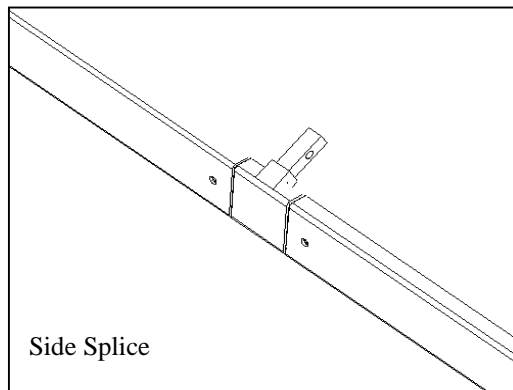
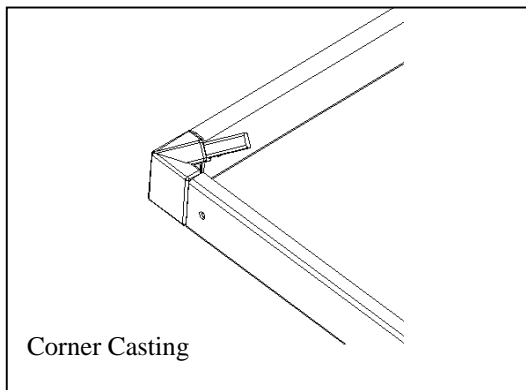
<b>P22108</b>	<b>P24114 P27114</b>	<b>P27126</b>	<b>P30126</b>	
36	38	38	40	5/16" x 1 1/2" Button-head bolt
4	4	4	4	5/16" x 1 3/4" Button-head bolt
36	38	38	40	5/16" nut
4	4	4	4	5/16" Nylock
8	8	10	8	3/8" x 3.5" Hex Bolt
12	12	14	12	3/8" nut
50	72	80	82	S-Hook
2	2	2	2	U-Bolt 3" x 4 1/2" x 3/8"
0	0	0	0	3" U-Bolt Plate
2	2	2	2	Bungee – Long
2	2	2	2	Bungee – Short

# Sunstream

## Canopy Assembly and Installation Instructions

### 1. Assemble Lower Frame

Locate (4) Side rails, (2) Front/rear rails and (1) Ridgepole.  
Connect the two side rails using the splice as shown.

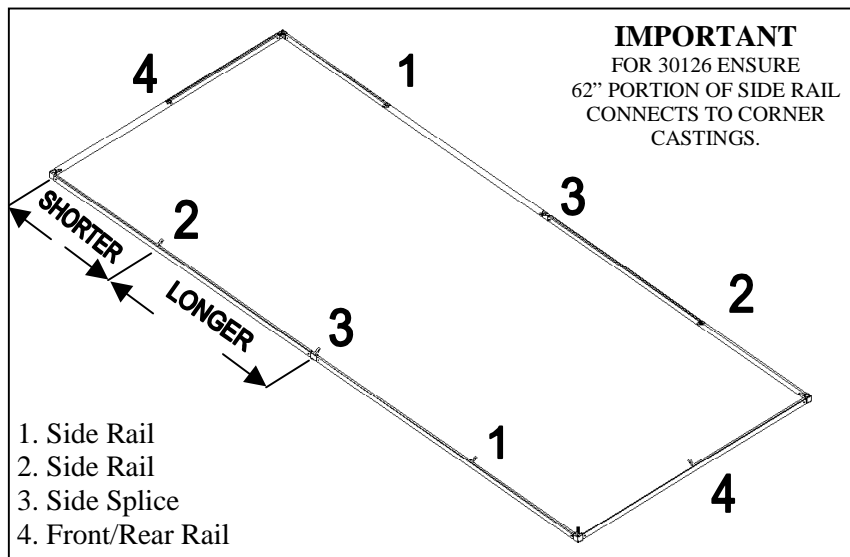


Finish Lower frame assembly by attaching the Front/Rear rails to the Side Rails using the Corner Castings.  
**Secure (i.e. bolt) using 5/16" x 1 1/2" Button head bolts and nuts.**

**NOTE:** ENSURE  
OFFSET ON  
SIDE RAILS.

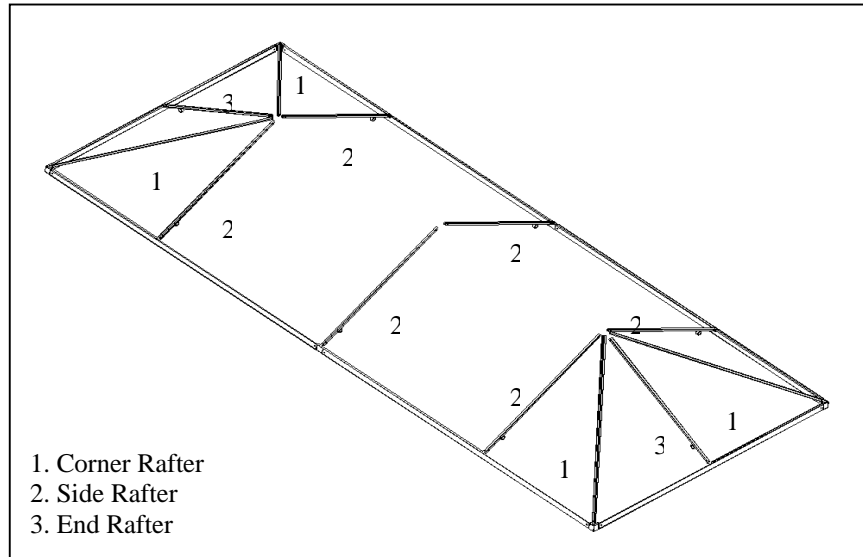
**IMPORTANT!**

**DOES NOT  
REPRESENT  
30126**



## 2. Add Rafters

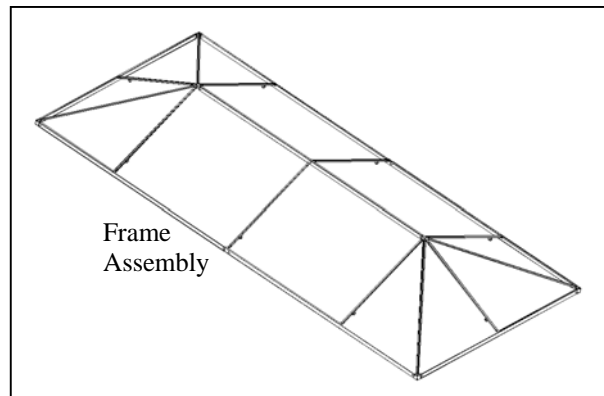
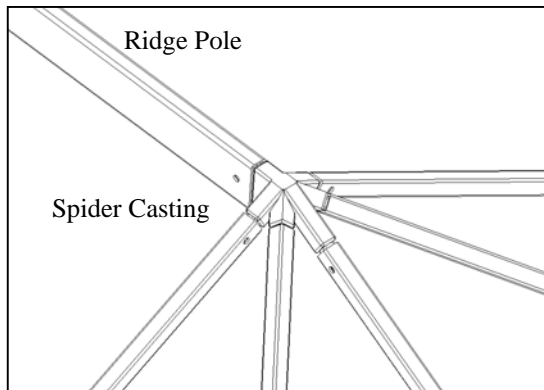
Slide on 4 Corner Rafters on Corner Castings. Slide on (and bolt) 6 Side Rafters to stubs on Side Rails. Slide on (and bolt) 2 End Rafters to stubs on Front/rear Rails. (Note: End Rafters Marked)\*  
**Secure (i.e. bolt) using 5/16" x 1 1/2" Button head bolts and nuts.**



\*NOTE: ALL RAFTERS SAME LENGTH ON P22108

## 3. Ridge Pole

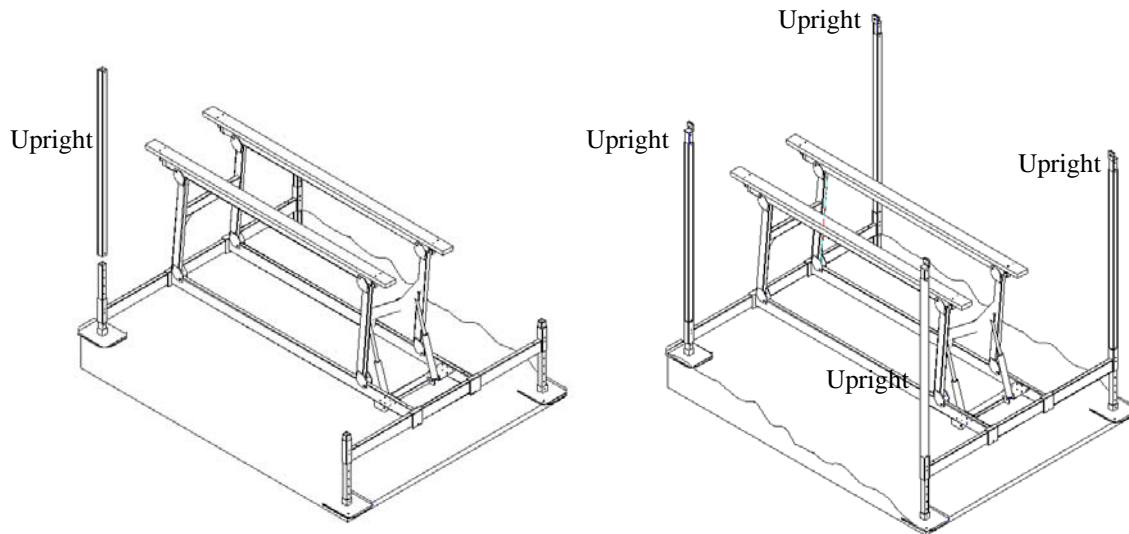
Attach Spider Castings to ends of Ridge Pole Assembly and attach to rafters.  
**Secure (i.e. bolt) using 5/16" x 1 1/2" Button head bolts and nuts.**



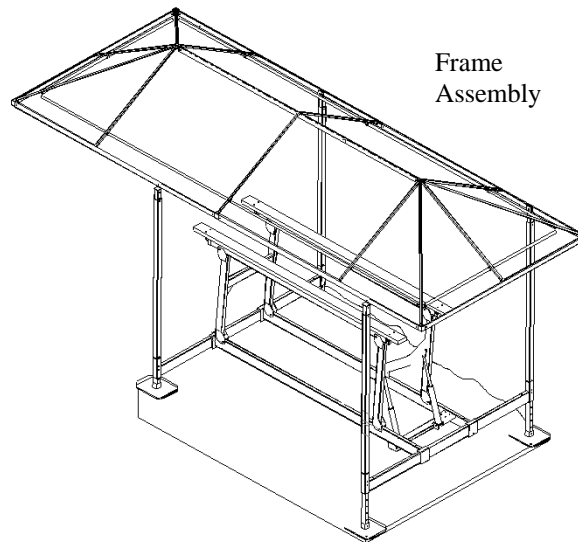
Slide Tie Bars through loops in Rafters (2 short tubes on ends). Tighten all nuts and Bolts.

## 4. Bolt Uprights to Legs of Lift

Bolt 4 uprights to legs of lift using 3/8" x 3 1/2" bolts. Upright must be engaged at least 9" on leg. Slide Inserts into Uprights and adjust to desired height, level, and bolt using 3/8" x 3 1/2" bolts.



## 5. Place Frame on Lift



Position the frame fore and aft for best protection of boat. Typically, the rear of the boat is at the rear upright. Temporarily clamp the frame to the inserts.

## 6. Mount Frame to Upright Inserts

After positioning frame to desired location, verify the rear uprights at the same distance to the rear rail of the canopy frame. Next, verify the forward uprights are parallel to the rear uprights by measuring the distance between the rear and the forward uprights at the bottom and the top.

Drill a 5/16" hole through the side rails using the Insert bracket as a guide.

Secure using 5/16 x 1 3/4 button head bolts and Nylocks. Ensure bolts will not interfere with craft.

Note: Raise Boat to **\*over-center\*** position to verify proper canopy coverage.

**When Raising for the First time, Watch Boat to Ensure Proper Clearance.**



## 7. Diagonals

Attach the diagonal Bracket to the Side Rail, located such that the diagonal will be positioned at approximately 30° angle. U-Bolt the lower part of the diagonal to the upright. When tightening the U-Bolt, lift the front of the canopy frame slightly above horizontal.

**IMPORTANT TO NOTE:** It may be necessary to cut off ends of U-bolt to prevent contact with boat after U-bolt installation.

### **IMPORTANT**

**ENSURE NO INTERFERENCE WITH WATER CRAFT & U-BOLT AFTER INSTALLATION OF CANOPY. CUT ENDS OF U-BOLT OFF TO PREVENT DAMAGE.**



### **IMPORTANT**

## 8. Attaching cover

Unfold canopy on ground and weave bungee through grommets and “S” hooks as shown. Secure ends of bungee with stopper knot or equivalent. Fold canopy up and place in center of the frame assembly. Unfold canopy on frame and slide corners over frame. Use caution when sliding canopy over corners.

Clip S-Hooks on Tie-Bars alternating between opposite sides to keep cover centered as shown.

### IMPORTANT

**Important:** Make sure end of hook is facing away from canopy fabric to prevent damage.



# Safety Tips and Suggestions

1. Remember that your Sunstream Canopy is designed for quick and easy removal with the bungee and 'S' hook system. With this in mind, we recommend the following.
  - a. Remove your canopy cover in the wintertime, especially if your area experiences high winds, heavy snow, or severe winter storms.
  - b. Remove your canopy cover if you do not plan on leaving your boat on the lift for extended lengths of time, especially if you experience high winds or winter storms. High wind can actually move your boatlift if you have a canopy cover with no boat on the lift and the canopy is not attached to the dock.
2. It is best if you position your canopy and lift such that the front end of the canopy is not facing the prevailing direction of high winds. Your boat must be on the lift during high winds or the canopy needs to be attached to the dock.
3. Install a High Wind Kit on the canopy if you experience sustained or high winds on a regular basis. These kits are available from your local Sunstream Dealer. (Fig. 8) We also recommend High Wind Kits on all canopies 27' and longer for most applications.
4. All fasteners should be checked and tightened regularly to prevent damage to your craft or to the canopy.
5. Make sure your boatlift is level at all four corners. Out of level installation can cause damage to your canopy or to your boatlift.
6. When raising your boat for the first time, watch closely as it moves up underneath the canopy to ensure proper clearance. Adjust the canopy inserts to the proper height if necessary.
7. Remember to remove your stern light prior to lifting your boat underneath the canopy



## Standard Warranty

**WARRANTY:** Sunstream Corporation (“Company”) warrants its Products for non-commercial and/or non-governmental use for a period of three (3)\* years, in both fresh and salt water, to the original Purchaser (“Purchaser”) against manufacturing defects in all Product materials and workmanship beginning from date of purchase of the Product from Company\*\* under the following terms and conditions:

**NOTICE REQUIREMENTS AND REMEDIES:** If the Purchaser discovers a defect, the Company, or its authorized Company dealer or agent, will, at the Company’s option: (1) repair the Product, (2) replace the defective part, or (3) refund the purchase price of the Product upon confirmation by Company that the Product is defective, provided that the Company receives notice of the defect from the Purchaser or Company dealer before the warranty period lapses. Product changes caused by age or environment (such as marine growth or heat) shall not constitute a defect. Confirmation of the defect shall require that reasonable proof of the defect be provided by Purchaser to Company or Company dealer, and may include that the Product or part be returned to Company for inspection at Purchaser’s initial expense. This warranty shall not apply if Company receives notification after the before-stated deadline, regardless of when the defect occurred or was discovered, and regardless of the reason for the delay in notification. “Notification” shall be deemed to have occurred when the Purchaser or Company dealer sends written notice to Company by fax or by e-mail and when receipt is confirmed by Company’s response.

**EXCLUSIONS:** This warranty does not apply to damages caused by or due to: (1) accident (including, without limitation, collision, fire, flood, wind, ice or any other natural disaster or acts of God), abuse, misuse, overloading, out of level or improper boat loading (i.e.: not fully on, too far on, or crooked on lift), or (2) faulty assembly or installation if such assembly or installation was not performed by a Company employee or Company dealer. Company is not responsible for determining the weight or dimensions of Purchaser’s boat, and Purchaser is advised that published boat specifications are often inaccurate. This warranty is void if the Product has been modified without the permission of the Company or if any Company serial number has been removed or defaced. Normal maintenance requires an annual inspection of the Product by a Company employee or Company dealer, including bolts, pins, hydraulics, pump, electronics, and welds and failure to undertake such maintenance may constitute “abuse.” Lift components’ fluid level and condition, including battery water and acid, SunFluid and strainer cleaning are maintenance items and are not covered by this warranty. Zincs, ropes, batteries, cosmetic concerns and custom coatings are not covered by this warranty. Batteries supplied by Company that are maintained in top operating condition by Purchaser are warranted for a period of one (1) year. Underwater light systems and the DockJock are not warranted for use in brackish or salt water. This warranty does not void or alter any rights the Purchaser may have against dealers or suppliers of component parts.

**SALT WATER REQUIREMENTS AND EXCLUSIONS:** If any Company Product is used in brackish or salt water, the Purchaser agrees that proper maintenance requires that the Purchaser shall attach to the product, maintain and regularly check sacrificial anodes, also known as “zincs,” in order to prevent electrolysis from damaging the lift metals, and that failure to attach and maintain the zincs constitutes “abuse.” \*\*\* Underwater light systems and the Dock Jock™ personal watercraft lifts are not warranted for brackish or salt water use regardless of zinc use.\*

**INTERNATIONAL WARRANTY:** The Purchaser agrees that if the Product leaves the borders of the United States of America, Puerto Rico or Canada, replacement parts shall be shipped with the dealer’s next container order. International dealers have the option of using parts from stocked product if possible to expedite response. Purchaser has the option to pay for expedited freight if desired.

**LIMITATIONS:** Except as expressly stated herein, there are no warranties, expressed or implied, by operation of law or otherwise, of the Product furnished under this Agreement. Seller disclaims any implied warranty of merchantability or fitness for a particular purpose. The sole remedy for liability of any kind shall be limited to the remedies provided in this warranty and shall in no event include any incidental, indirect, special or consequential damages or loss of use, revenue or profit. State law may override the above exceptions or limitations.

\*Fresh water applications for underwater light systems and the Dock Jock™ winch and strap are warranted for one (1) year; salt water applications are not warranted for these Products.

\*\*If the Product is purchased from a Company dealer, the warranty term begins upon the date the Product is sold to the end Purchaser or three (3) months from the date the Product is shipped from Company, whichever occurs first.

\*\*\*Under normal conditions, zincs should last at least one (1) year. If Purchaser observes that the zincs are deteriorating in a shorter time period, an external current could be entering the system and the Purchaser must find the source of this current and stop it, or change zincs more frequently.

---

**Sunstream Corporation**  
22149 68<sup>th</sup> Avenue South  
Kent, WA 98032  
USA

Web Site: [www.sunstreamcorp.com](http://www.sunstreamcorp.com)  
Phone: 001-253-395-0500

E-mail: [mailbox@sunstreamcorp.com](mailto:mailbox@sunstreamcorp.com)  
Fax: 001-253-395-0501