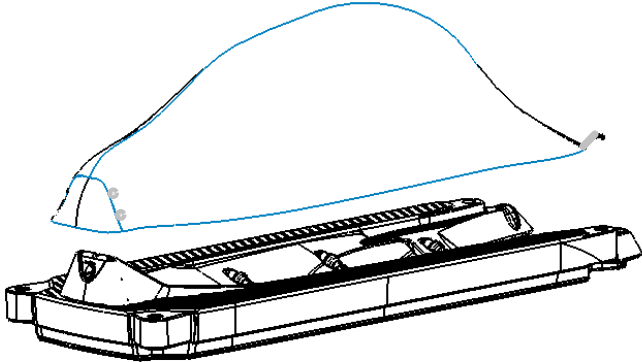
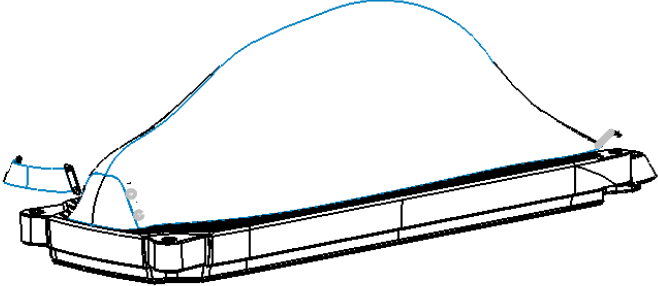


**QUICKCOVER
INSTALLATION
SPA-QC1**

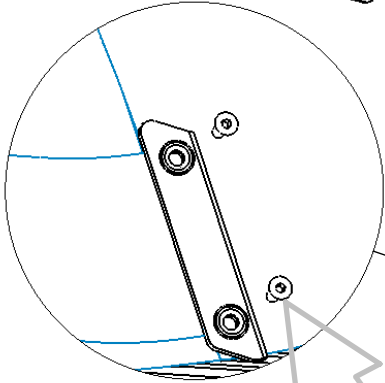
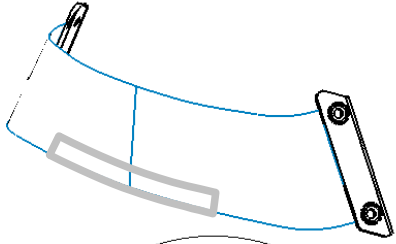
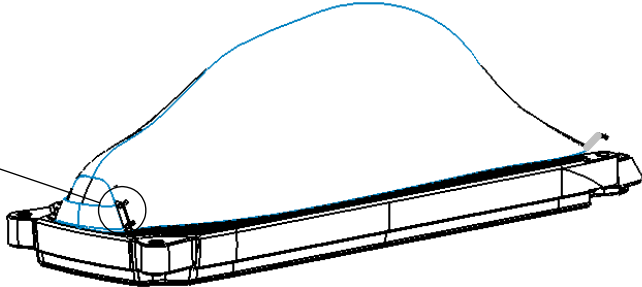
1



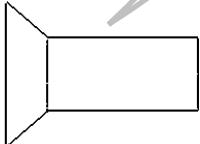
2



3

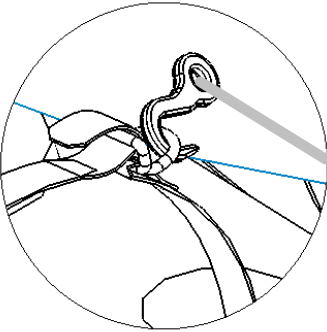
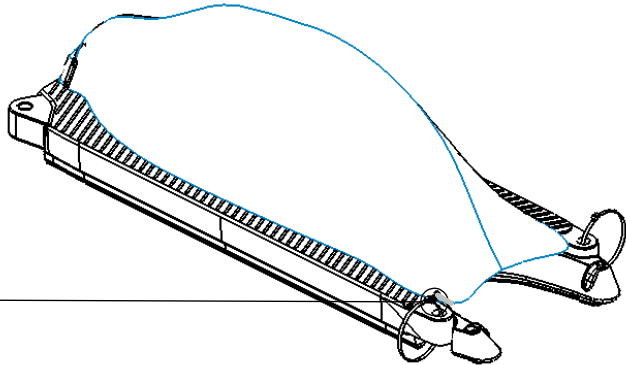


4X

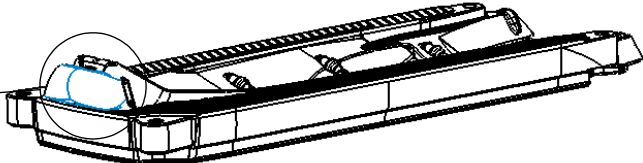
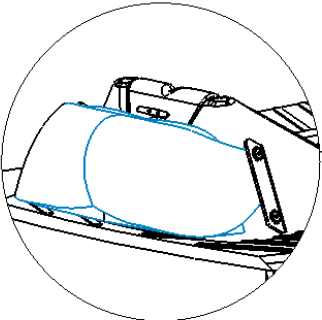


3/8-16 X 1.0

4



5



BUNDLE IN NET WHEN NOT IN USE